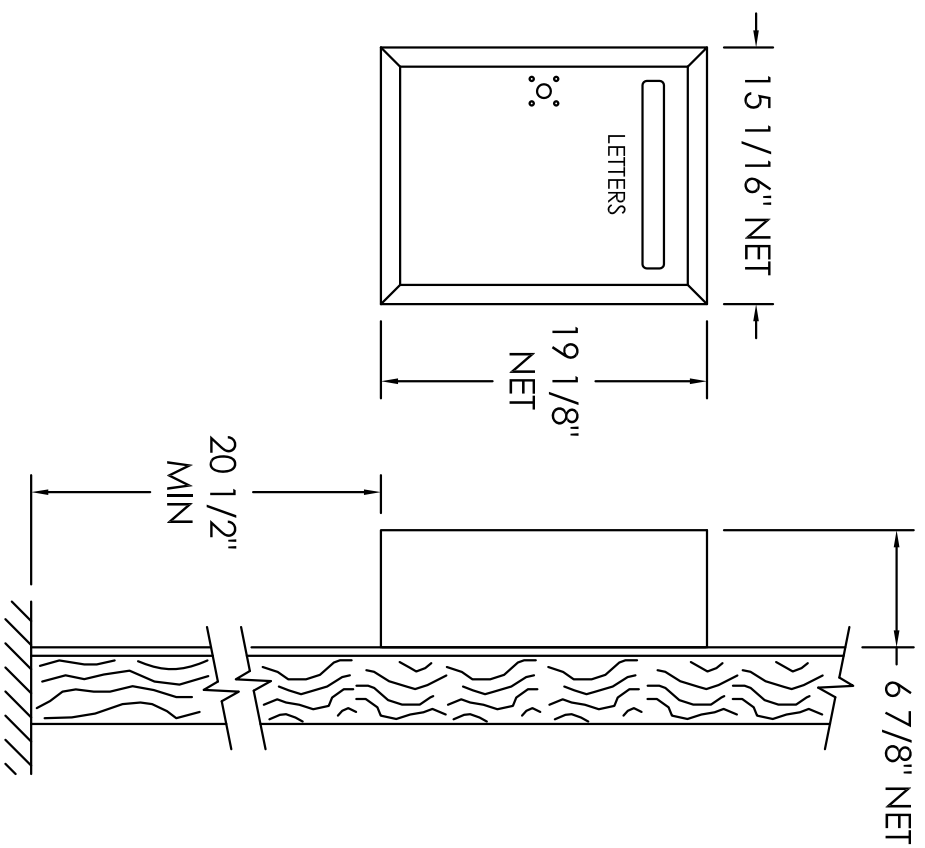


120SM COLLECTION BOX SURFACE MOUNTED



- Notes:
1. COLLECTION BOX PREPARED FOR USPS LOCK - STANDARD. OPTIONAL PRIVATE LOCK AVAILABLE.
 2. ENGRAVED AS SPECIFIED.
 3. ANODIZED ALUMINUM STANDARD FINISH. OPTIONAL POWDER COAT FINISH AVAILABLE IN 10 COLORS.

PRODUCT SERIES:		120SM COLLECTION BOX	
SURFACE MOUNTED		SURFACE MOUNTED	
MODEL	120SM	REV	D
SCALE	NONE	LAST REV DATE	9/4/2012
DRAWING NUMBER	120SMSCS	DRAWN BY	RAK

AF FLORENCE
manufacturing company
 5935 Corporate Drive • Manhattan, KS 66503
 www.florencemailboxes.com • (800) 275-1747
 A GIBRALTAR INDUSTRIES COMPANY