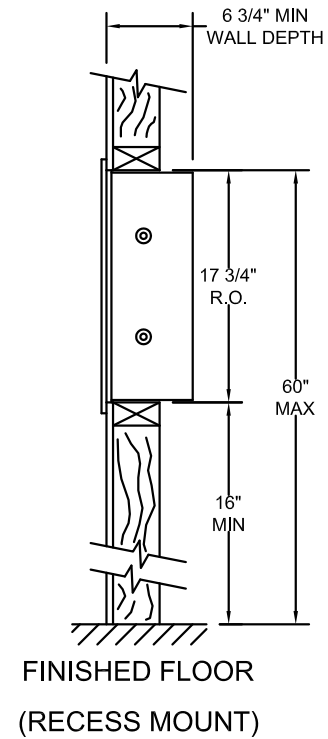
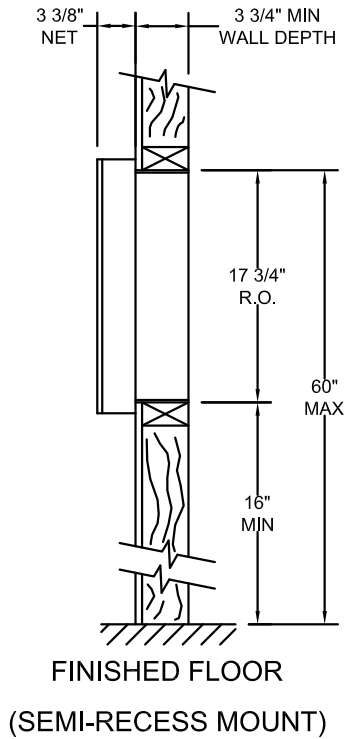
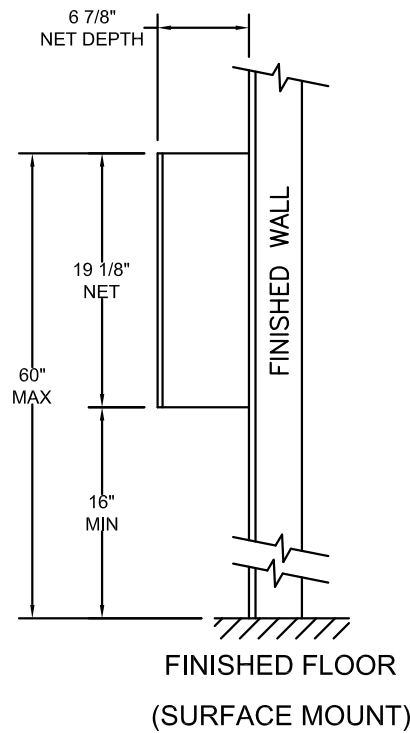
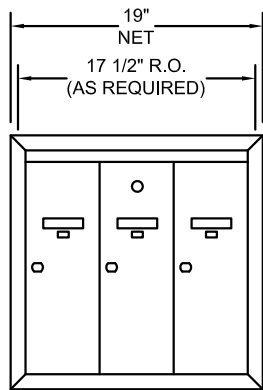


1250-3 VERTICAL STYLE MAILBOX



NOTES:

STANDARD:

1. (1) 1250-3 SERIES ALUMINUM CABINET WITH (2) STANDARD SIZE DOORS (16"H X 5 1/2"W), AND (1) STANDARD SIZE MASTER DOOR PREPARED FOR POSTAL MASTER LOCK.
2. CLEAR ANODIZED FINISH.
3. 5-PIN CYLINDER CAM TYPE LOCK WITH (2) KEYS EACH.
4. TENANT NAME CARD HOLDER ON EACH DOOR.
5. RECESSED MOUNT (NO COLLAR REQUIRED).
6. UNIT WEIGHT: 19 POUNDS.

OPTIONAL:

1. PRIVATE MASTER LOCK.
2. POWDER COAT FINISH AVAILABLE IN 10 COLORS.
3. ENGRAVING OR BLACK-FILLED ENGRAVING ON EACH DOOR.
4. OPTIONAL DOORS SIZES AND ARRANGEMENTS.
5. SURFACE MOUNT (WITH SM125-3 COLLAR); SEMI-RECESSED MOUNT (WITH SR120-3 COLLAR).
6. INTEGRAL DIRECTORIES.
7. INTEGRAL DOORBELL PUSH BUTTONS.
8. DOUBLE ROW INSTALLATION (MAINTAIN MAX AND MIN INSTALLATION DIMENSIONS AS SHOWN ON CS5048).

PRODUCT SERIES: 1250-3 VERTICAL STYLE MAILBOX

AF FLORENCE
manufacturing company

5935 Corporate Drive • Manhattan, KS 66503
 www.florencemailboxes.com • (800) 275-1747

A GIBRALTAR INDUSTRIES COMPANY

MODEL	1250-3	REV	D
SCALE	NONE	LAST REV DATE	8/24/2012
DRAWING NUMBER	CS5052	DRAWN BY	RAK