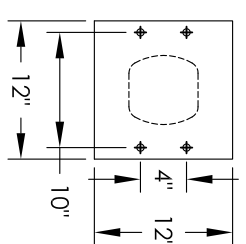
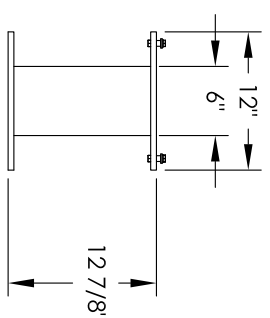
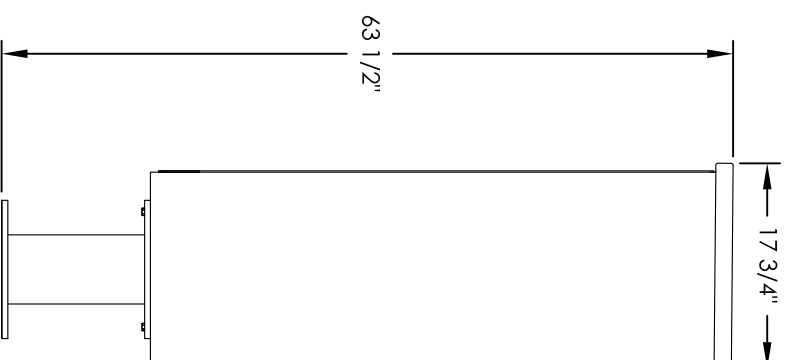
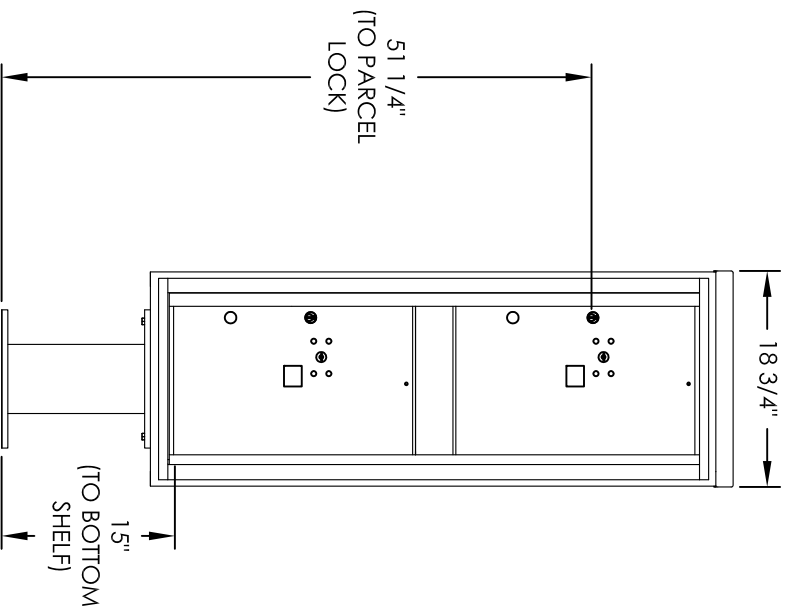


Versatile™ 4C Pedestal Mount Mailbox, 4C13S-2P-P



PEDESTAL DETAIL

COMPARTMENT CHART

DESCRIPTION	COMPARTMENT	COMPARTMENT SIZE	QTY.
PARCEL	PL6	20-1/2" H x 12" W x 15" D	2

PRODUCT SERIES: VERSATILE™ 4C PEDESTAL MOUNT MAILBOX

- NOTES:
1. 4C pedestal units are for private applications only / not USPS Approved.
 2. May be installed outside or inside - see foundation specification details within the 4C Installation Manual.



5935 Corporate Drive • Manhattan, KS 66503
www.florencemailboxes.com • (800) 275-1747
A GIBRALTAR INDUSTRIES COMPANY

MODEL: 4C13S-2P-P REV: A

SCALE: NONE LAST REV DATE: 5/14/2014

DRAWING NUMBER: 4C13S-2P-PCS DRAWN BY: AFD