

# HINGED AND LOCKING REAR COVER INSTALLATION PROCEDURE FOR HORIZONTAL BOXES

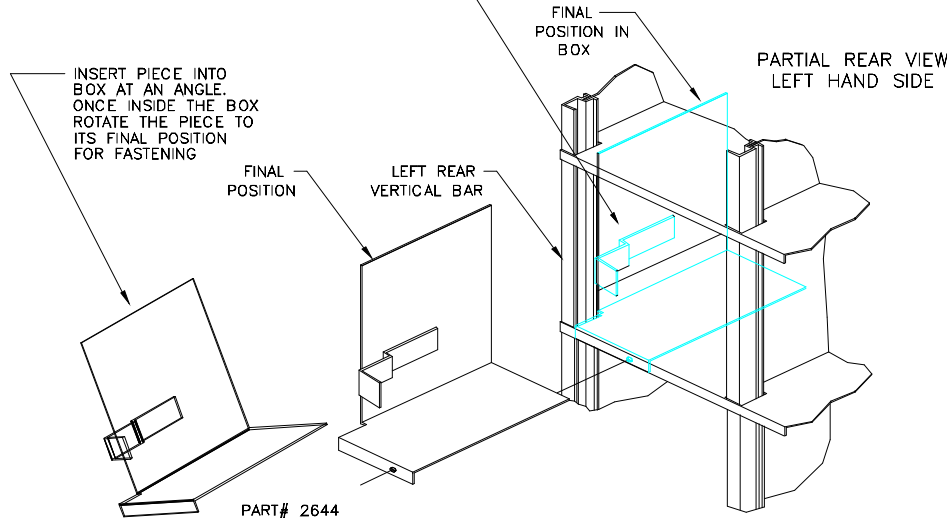
ATTACH DOOR TO VERTICAL BAR WITH (\*) RIVETS MAKING SURE THAT TOP OF DOOR IS FLUSH WITH TOP OF TOP DIVIDER PLATE

(\*) SIZE OF BOX DETERMINES QUANTITY OF RIVETS

LOCK BRACKET INSTALLATION INSTRUCTIONS:

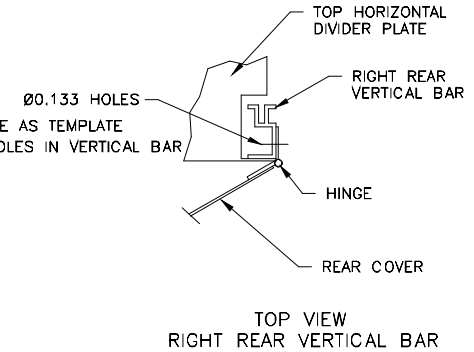
1. CLOSE REAR COVER AND IDENTIFY THE MAIL BOX OPENING THAT IS BEHIND THE REAR COVER LOCK.
2. USING THE INSERT AS A TEMPLATE, DRILL (1)  $\varnothing.133$  HOLE FOR POP RIVET IN THE HORIZONTAL DIVIDER PLATE AT THE LOCATION SHOWN, IN THE MAILBOX OPENING.
3. FASTEN INSERT TO DIVIDER PLATE WITH RIVET

(4W X 7H HORIZONTAL BOX SHOWN)



MASTER LOCK — SUPPLIED AND INSTALLED BY U.S.P.S.

NOTE: USE HOLES IN HINGE AS TEMPLATE TO DRILL  $\varnothing.133$  HOLES IN VERTICAL BAR



**AUTH *AF* FLORENCE**  
MANUFACTURING COMPANY  
5935 CORPORATE DRIVE  
MANHATTAN KANSAS 66503